



6-501 2-Point Latch PHZ, vertical



Advantages

- No protruding handle or knob.
- Perfectly suited to control flat rods.
- The key inserted into the profile-cylinder opens and closes the lock according to DIN 18252.
- Closing- and opening operation 180°.
- The key is removable only in the locked position.
- Water- and dust-tight according to IP65 DIN EN 60529.
- Version DIN RH (as shown). Version DIN LH on request.

Materials

- **Housing, housing cover and slider:** zinc die, zinc plated
- **Screws:** steel, zinc plated
- **O-rings:** NBR, black
- **Flat external seal:** EPDM, black



2-point latch PHZ (internal)

Part Number	Version	Multi-point latches	Installation type
448-9119.00-00000	for flat rods	Yes	screw-on



Accessories

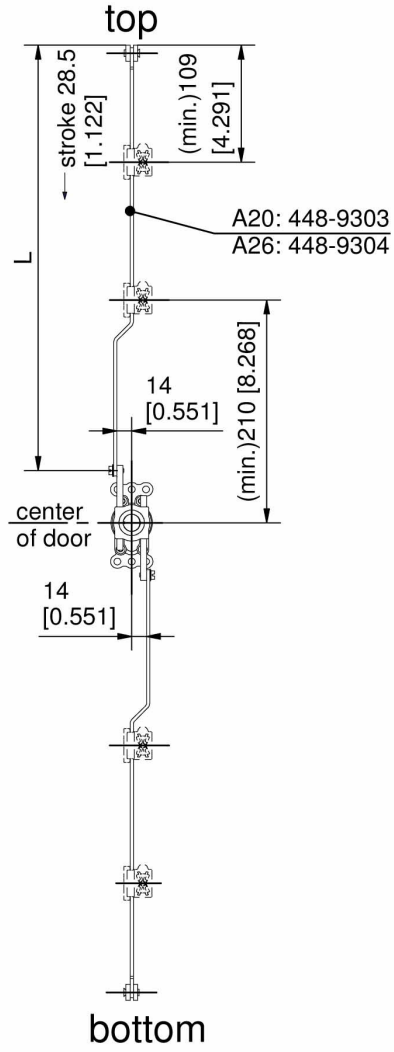
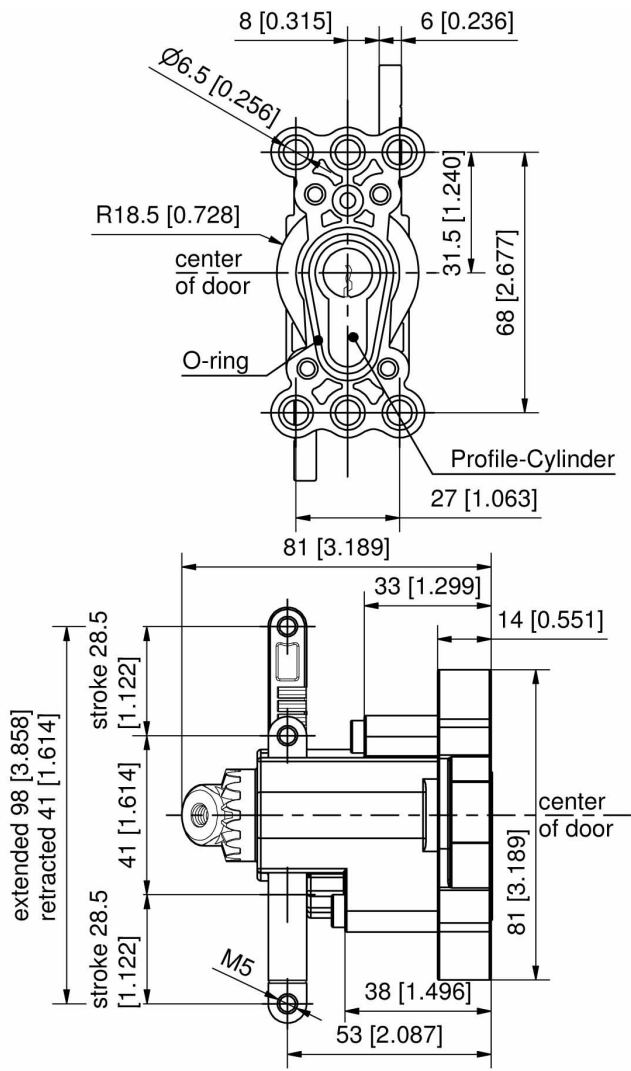
6-501.900 **Flat rod**

3-910 **Rod Guide FS 23mm**

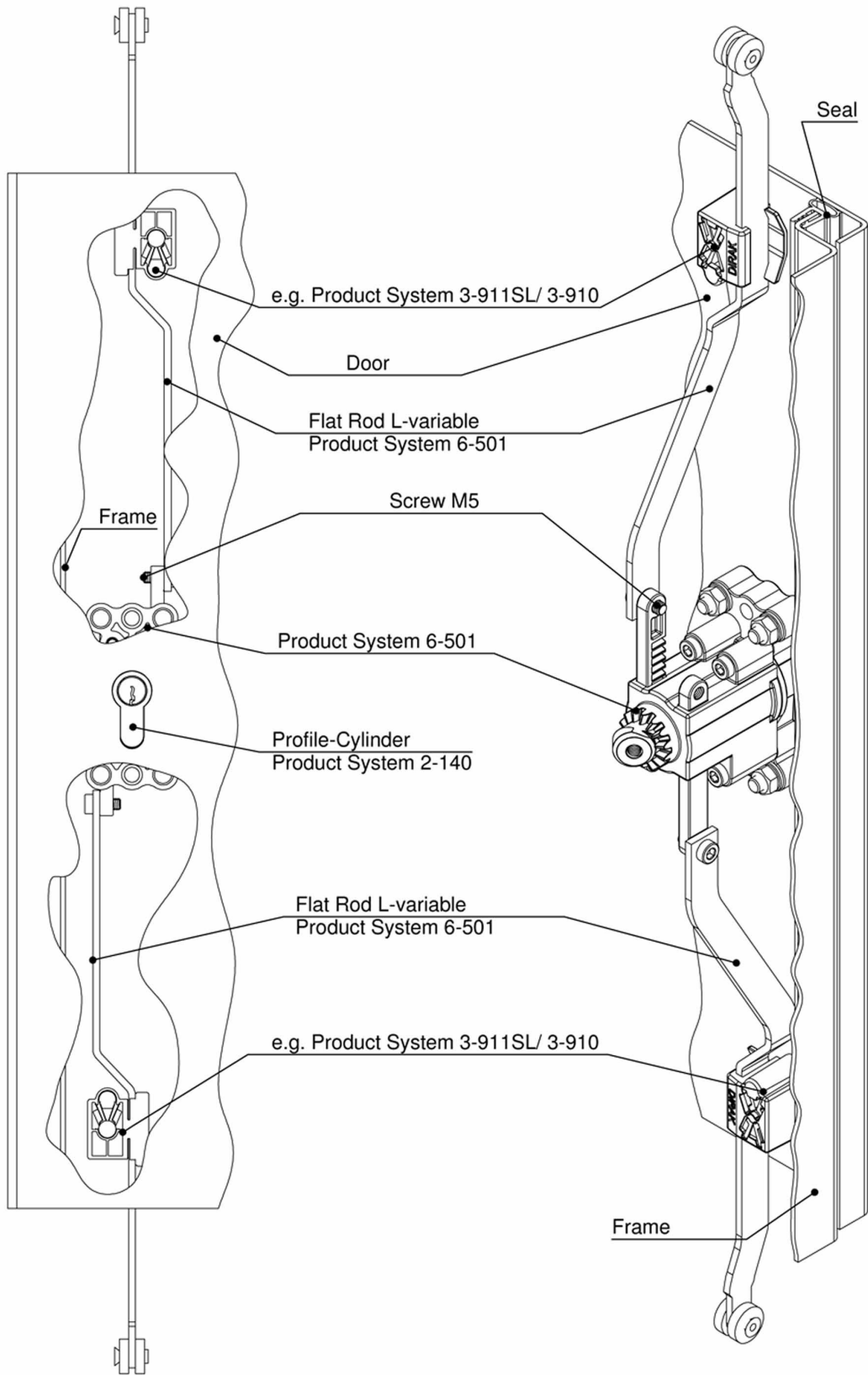
3-911 **Rod Guide FS 23mm**

211-9004.00-00000 **DIRAK Profile-cylinder**

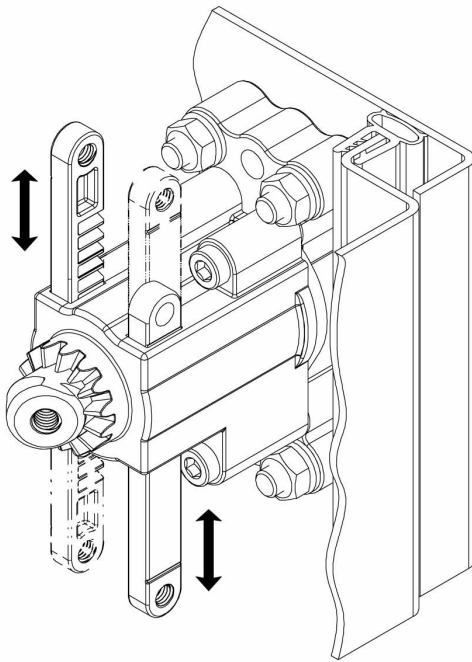
211-9003.00-00000 **DIRAK Profile-cylinder**



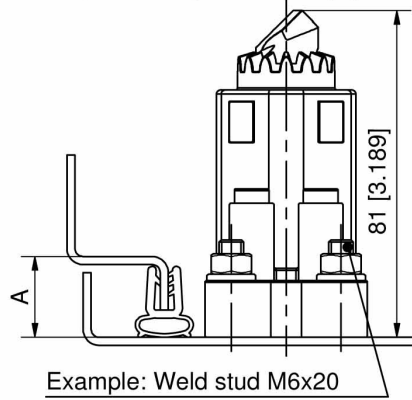
for 2-point latch PHZ 6-501 and flat rods with rollers



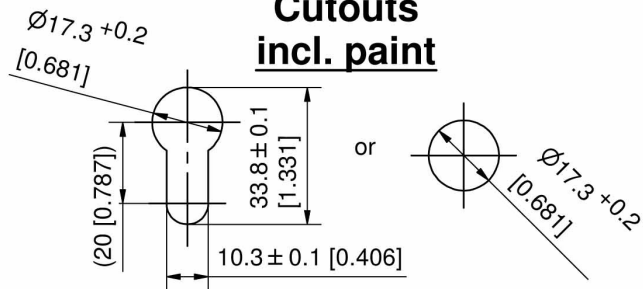
Operation



Example of application



Cutouts incl. paint



Rod formular:

$L = \frac{\text{clearance of the cabinet} - 10\text{mm [0.394]} (\text{tolerance}) - 41 (\text{Rod Latch System in retraced condition})}{2}$

2