



6-320.01 Locking Bar System □10

RoHS
WEEE

Advantages

- For heavy doors.
- Both ends come ready to be connected to the handle mechanism.
- By cutting the bar, the handle mechanism can be installed in any position.
- Included in the scope of delivery: locking bar system incl. base plate and 2 rod guides.
- **Please order separately:** rod one-piece

Materials

- **Handle:** aluminium
- **Bolt box, base plate, bar guides:** steel, zinc plated

Remarks

- 1. stroke 19mm

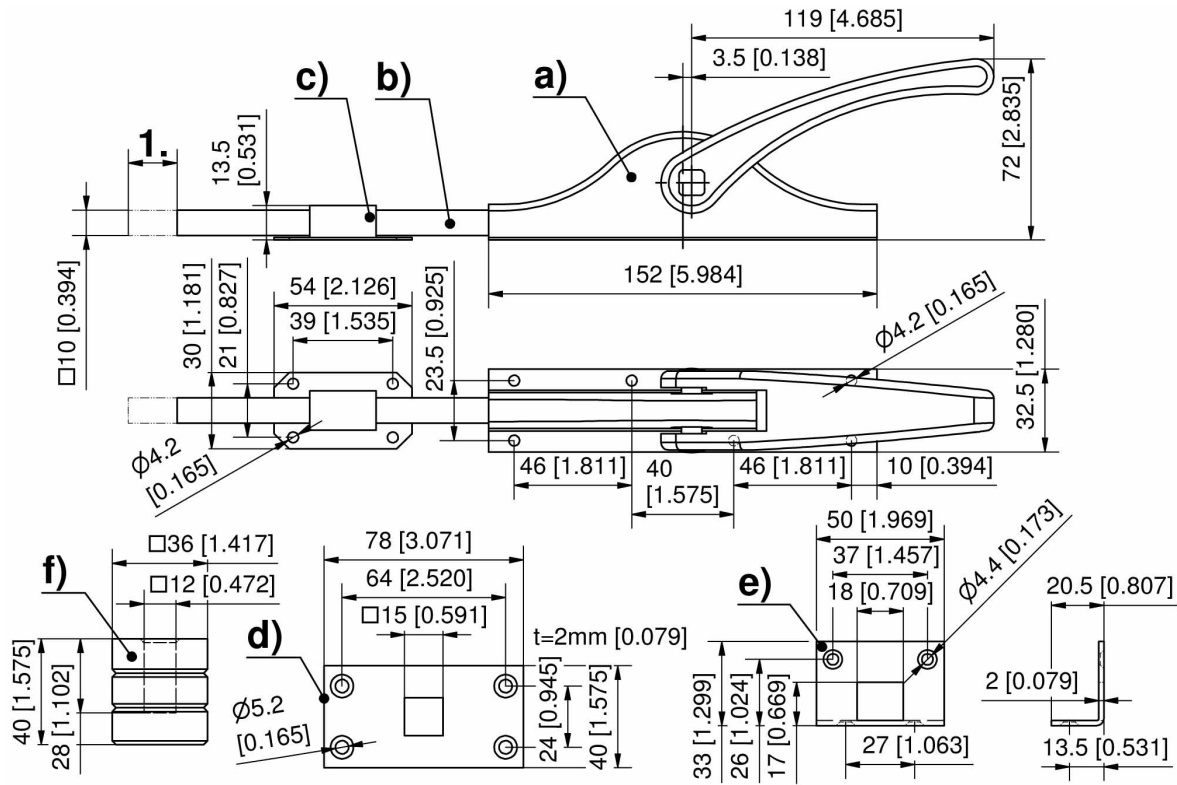


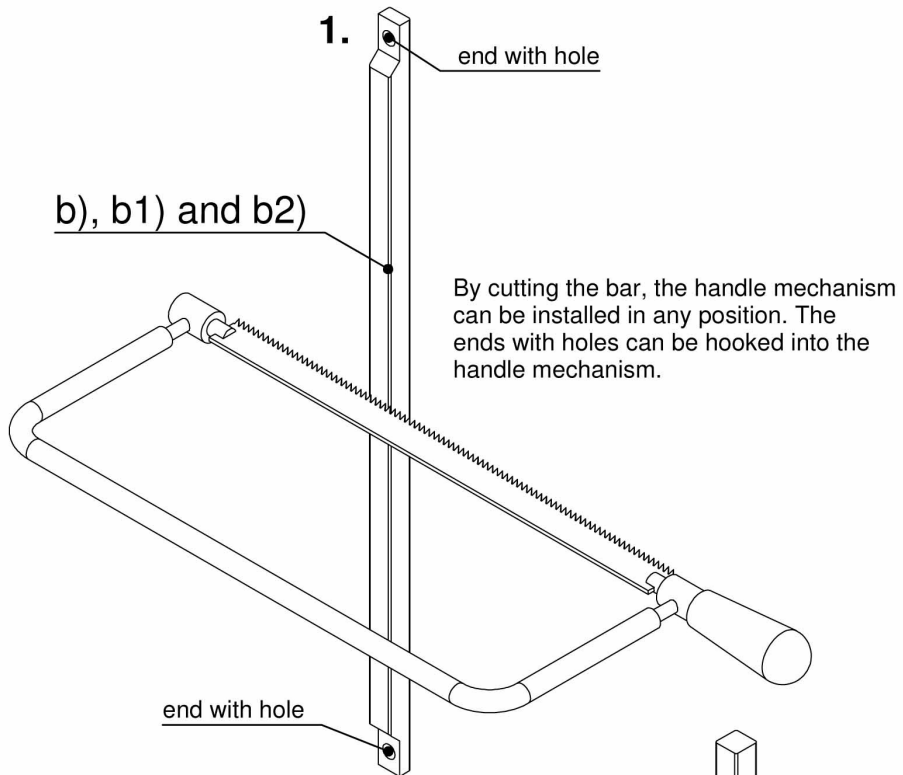
Locking bar system incl. base plate and 2 rod guides

| | Part Number | Multi-point latches | Installation type |
|----|-------------------|---------------------|-------------------|
| a) | 249-9005.00-00000 | Ja | screw-on |

* Accessories

- b) 249-0502.00-00000 **Rod for locking bar system □10, 2000mm**
- b) 249-0503.00-00000 **Rod for locking bar system □10, 2500mm**
- b) 249-0504.00-00000 **Rod for locking bar system □10, 3000mm**
- c) 249-0408.00-00000 **Rod guide for locking bar system □10**
- e) 249-0301.00-00000 **Bottom plate, angled**
- f) 249-0601.00-00000 **Bar latching bushing for concrete, 2 parts**





By cutting the bar, the handle mechanism can be installed in any position. The ends with holes can be hooked into the handle mechanism.

