



6-1381 Flush Mounted Trap-Door Latch

RoHS
WEEE

Advantages

- Flush mounted trap-door latch with integrated T-handle and safety insert.
- Vibration-proof design.
- T-handle with 95° opening angle.
- Width of T-handle 25mm (0.984).
- T-handle with rubber stop to prevent rattling.
- Encasement surface perfectly smooth to prevent dirt deposits.
- Mounted with fastening bracket with two M6 allen screws DIN EN ISO 4762.
- Cutout with anti-twist safeguard.
- Also available without locking device (only flush-mounted T-handle).

Materials

- **Housing and T-handle:** zinc die, chrome plated
- b)
- **Insert:** AISI 303
- c)
- **Insert:** zinc die, chrome plated

Remarks

1. Fastening bracket
 2. Spring-loaded link
 3. Locking device for T-handle
- The (S) door-thickness amounts to max. 6mm (0.236) with the screw provided M6x16.
Attention:
H-dimension of the L=35 cam $\geq 14\text{mm}$
H-dimension of the L=45 cam $\geq 14\text{mm}$
Only for use with cams part-no. 200-06XX and 200-04XX!



Trap-Door Latch

	Part Number	Insert	Version	Installation type
a)	213-9401.00-00000	without	without Fixing bracket	screw-on
b)	213-9403.00-00000	Conical square 9mm	without Fixing bracket and without spring-loaded link	screw-on
c)	213-9402.00-00000	Square 8mm	with fixing bracket and cylinder head screws M6x16	screw-on

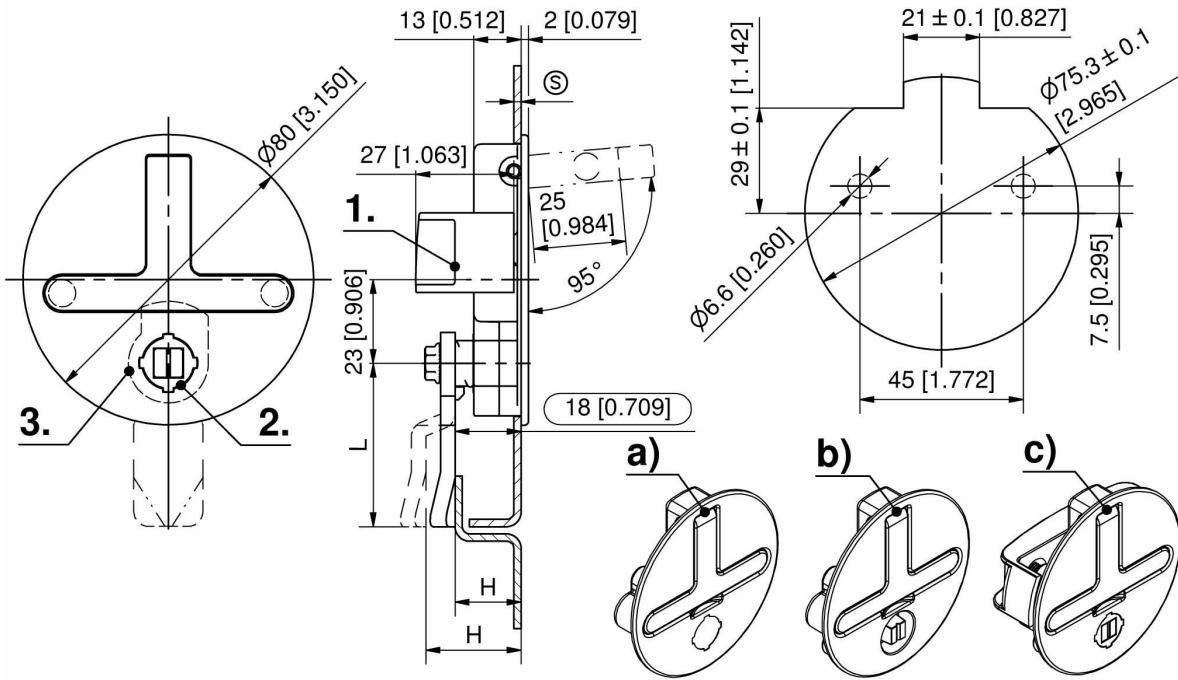


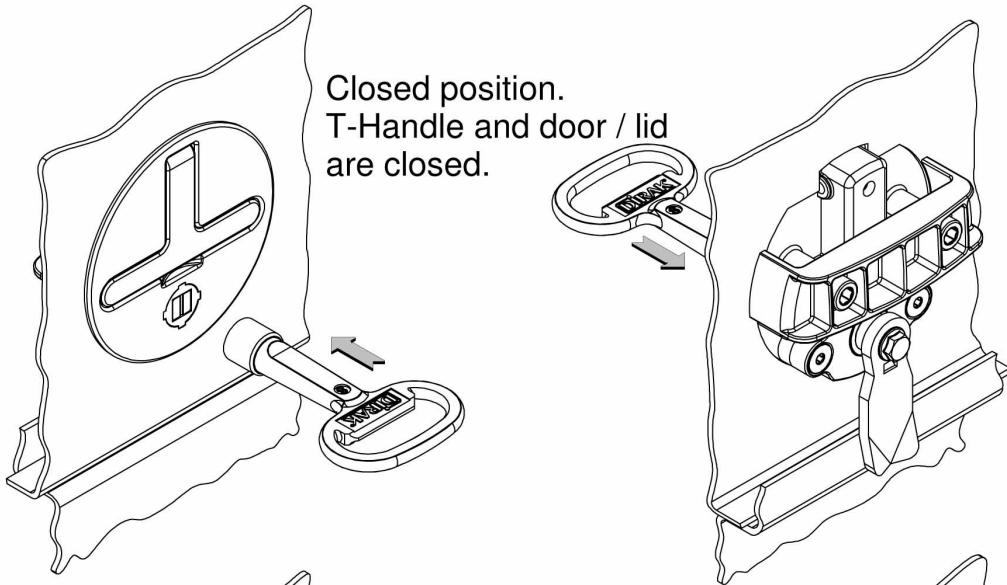
1-102 Cams L35/45 Steel

204-0103.00-00000 Hollow Key

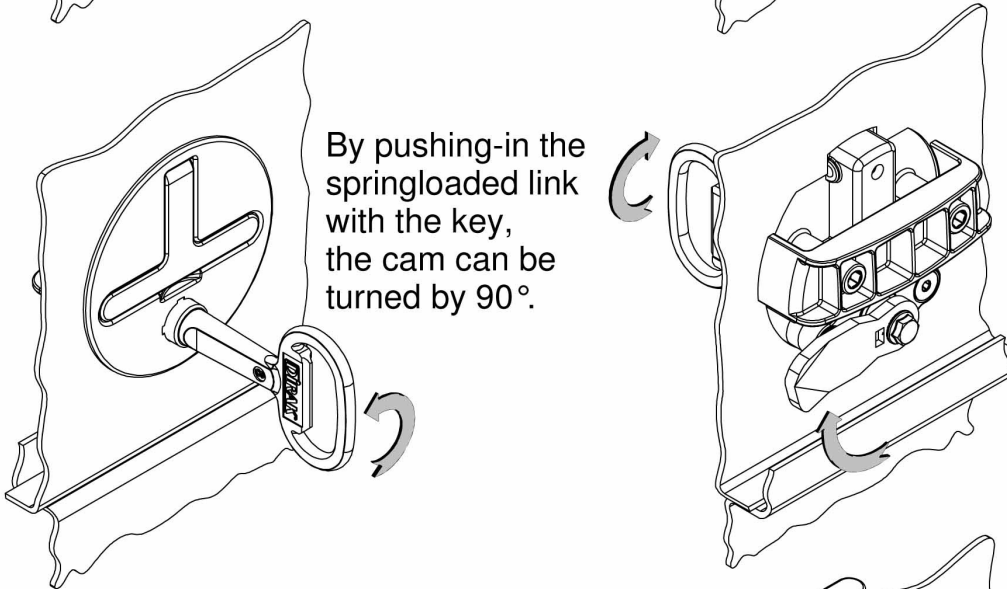
204-0701.07-07500 Universal key for Inserts

204-0702.80-00000 Rail Keys

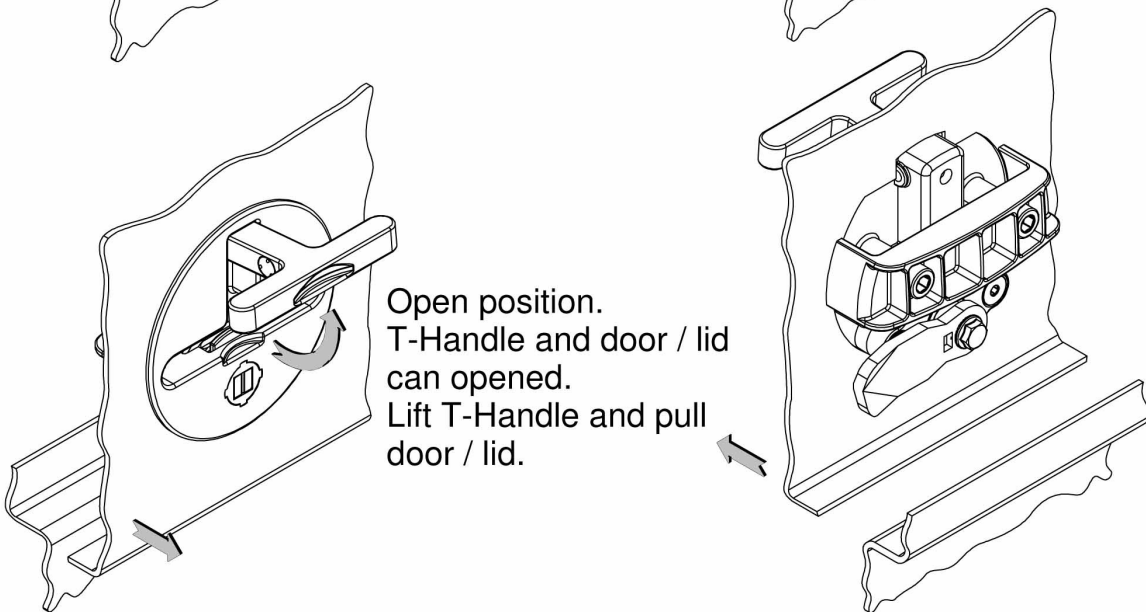




Closed position.
T-Handle and door / lid
are closed.



By pushing-in the
springloaded link
with the key,
the cam can be
turned by 90°.



Open position.
T-Handle and door / lid
can opened.
Lift T-Handle and pull
door / lid.